
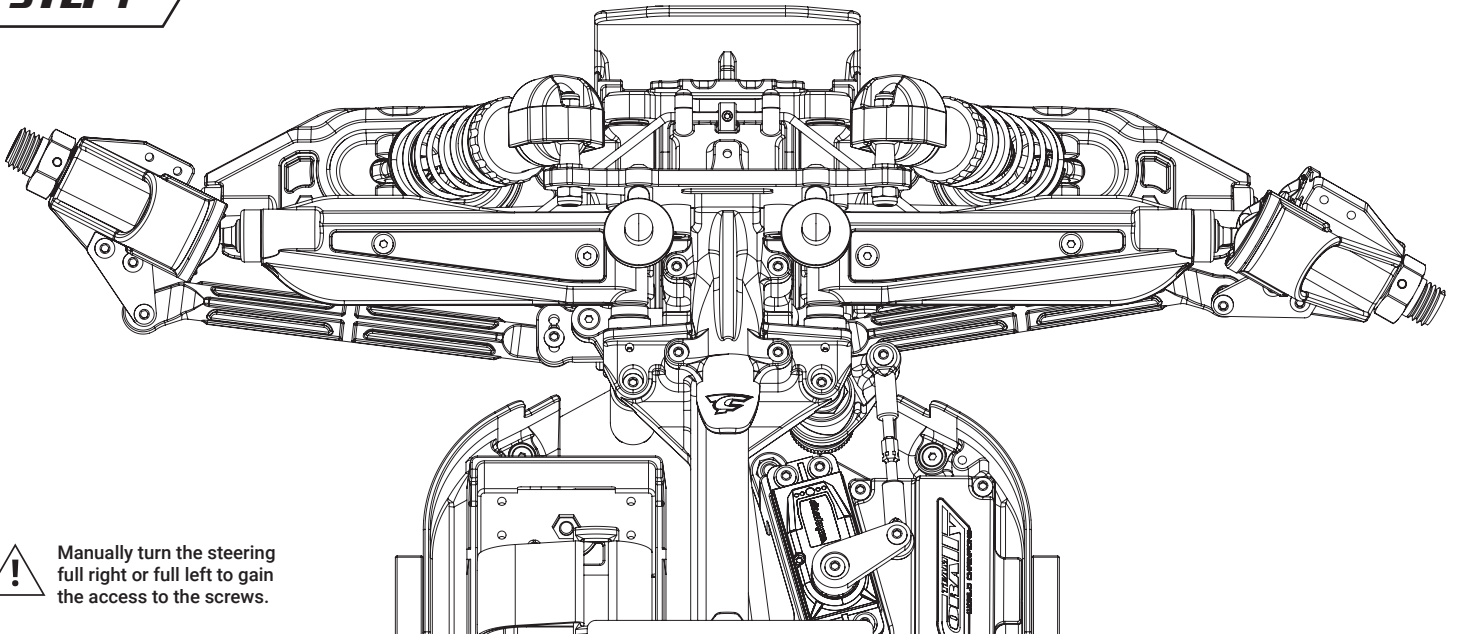


Required Tools:

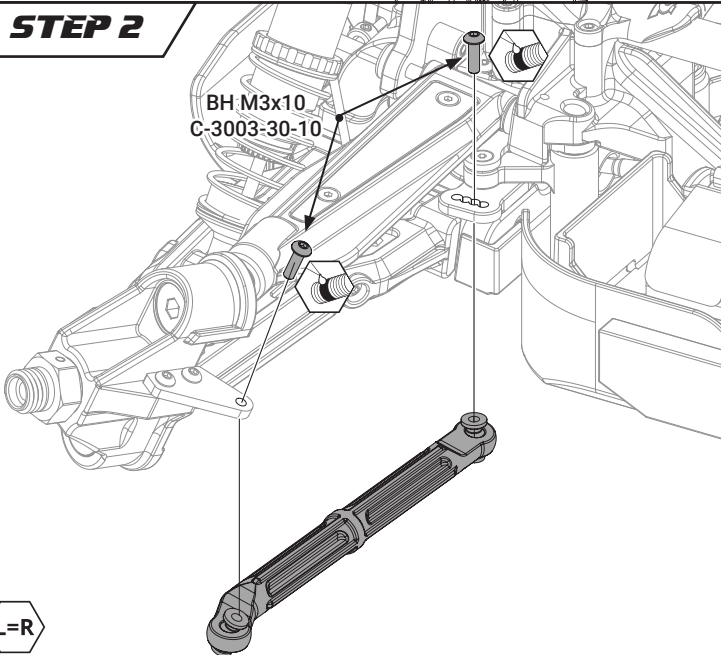
- 2.0 Hex Driver
- Shock Pliers
- Thread-locker 

STEP 1



! Manually turn the steering full right or full left to gain the access to the screws.

STEP 2



STEP 3

